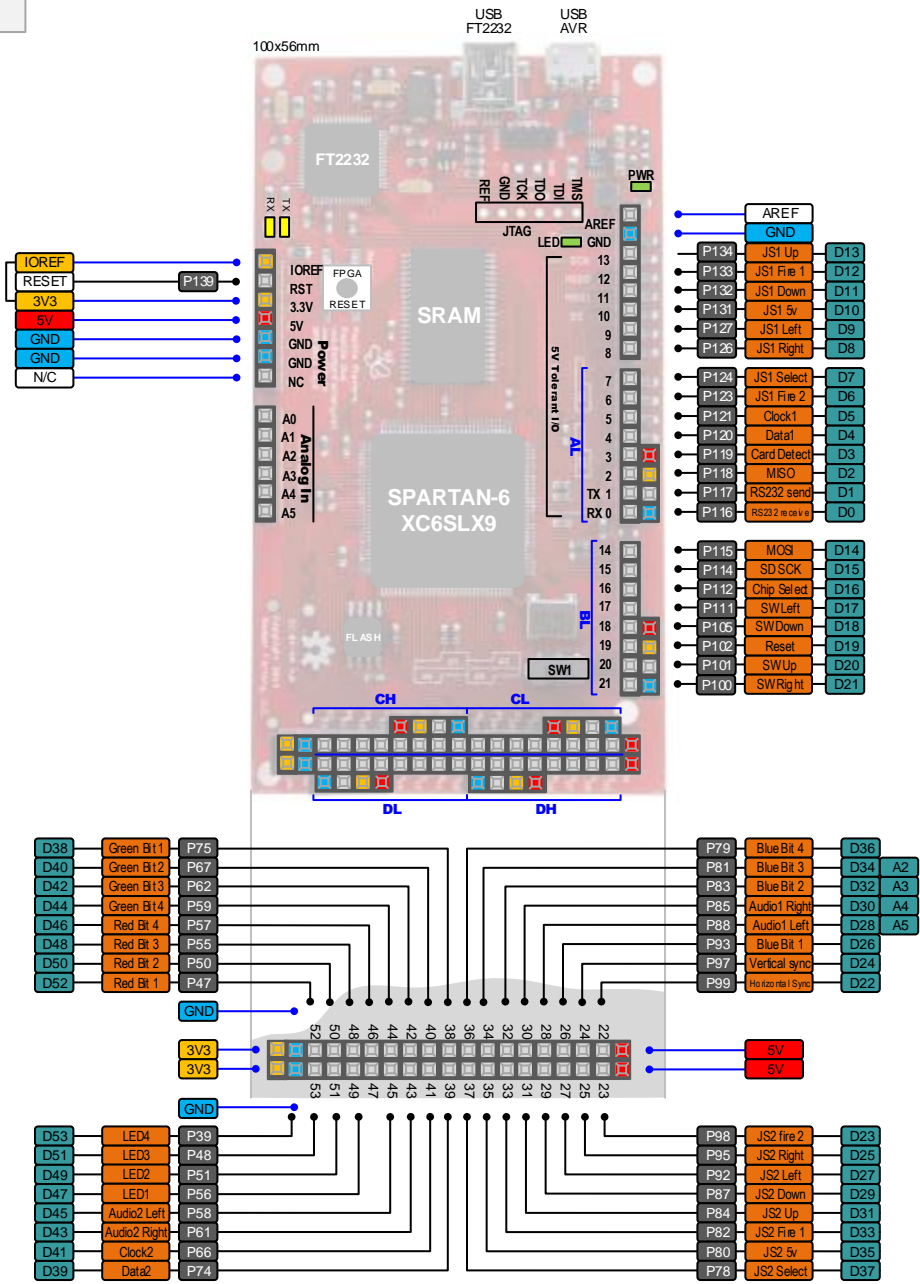


LEGEND	
 	FPGA physical pin
 	Computing Shield pin Function
 	Arduino compatible pin function



Thanks to [Papilio user DanC](#) who has created the original version of the DUO pinouts diagram.